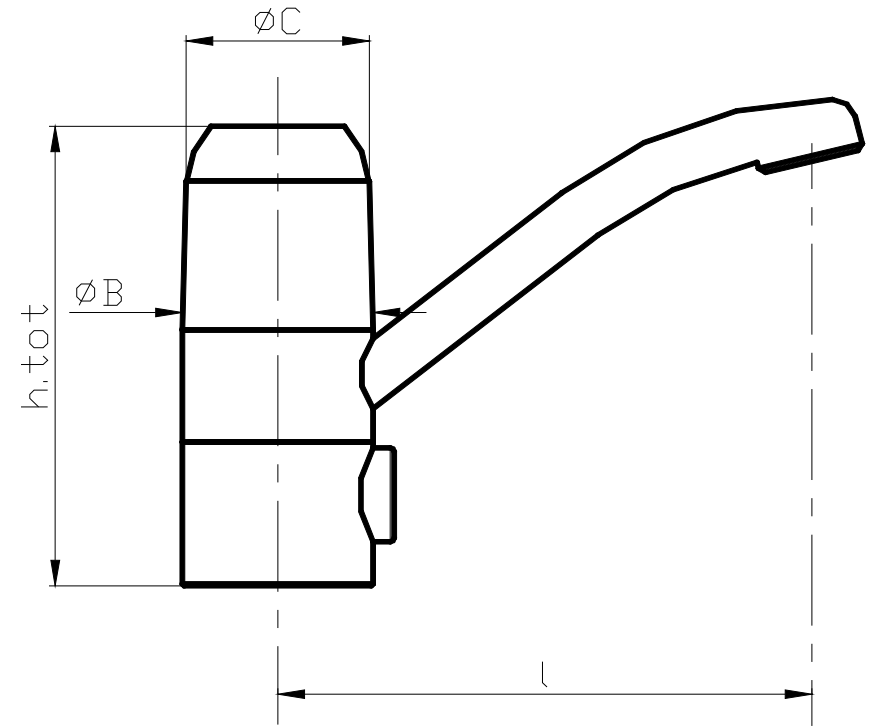


LSG2.48-50

	raw	chromium plated
	/BP	
cap	000226	000226PK
plastic cap		050604
nut	000211	
sleeve d.48/50	000182	000182PK
body	000489	000489PK
low pressure body	000488	000488PK
headwork seat	000491	000491PK
gasket GACO ×2	050504	
antifriction ring ×2	050534	
welded spout d.50 l.225	000738A	000738APK
" " l.144	000737A	000737APK
" " l.125	806102A	806102APK
" " l.165	806113A	806113APK
" " l.240	000742A	000742APK
" " l.213 " B"	000735A	000735APK
rubber gasket	050512	
OR for tie down M11x1	050622	
tie down M11x1	670352	
notched rubber washer	050514	
notched zinc plated washer	050544	
nut	000261	
adapter	000297	
rubber gasket	050528	

fixing kit



Ø C = 48 mm
 Ø B = 50 mm
 h.tot = 127 mm