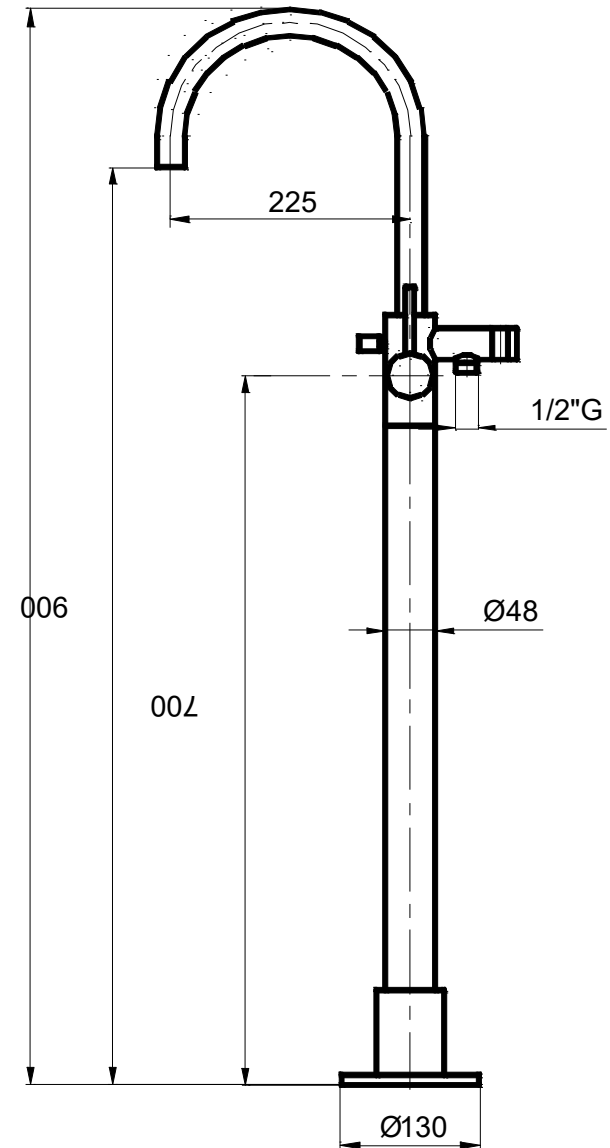


MVP.d48
**floor-mounted bath mixer vertical spout
miscelatore vasca a pavimento canna verticale**

	raw	chromium plated
spout (canna)	575451	575451PK
stainless steel screw for spout (grano inox)	050615	
connection for spout (raccordo per canna)	177312	
bushing (boccola)	177314	
cutted plastic ring (anello tagliato)	177316	
OR for connection (OR per raccordo)	050634	
OR x2 for connection (OR per raccordo)	050619	
antifriction ring (anello antifrizione)	177318	
body (corpo)	575452	575452PK
plug (tappo)	319364	
OR for plug (OR per tappo)	050525	
milled sleeve (bussola fresata)	177304	177304PK
nut (ghiera)	177306	177306K
nut (ghiera serraggio)	000201	
cap (cappellotto)	000225	000225PK
handle body (corpo maniglia)	106238	106238PK
stainless steel screw for handle (grano inox)	050627	
lever (leva)	448133	448133PK
connection for shower holder (raccordo porta docc.)	575454	
OR for connection (OR per raccordo)	050634	
OR x2 for connection (OR per raccordo)	050625	
stainless steel screw (grano inox)	050629	
shower holder (porta doccetta)	575457	575457PK
connection (raccordo)	775222	775222K
OR for connection (OR per raccordo)	050704	

9901

segue...



MVP.d48

**floor-mounted bath mixer
miscelatore vasca a pavimento**

	raw	chromium plated
diverter rod (astina deviatore)	575458	575458K
knob (pomello)	106284	106284PK
spring (molla inox)	575468	
rubber gasket (guarnizione GACO)	575469	
OR for diverter rod (OR per astina)	050722	
connection body-extension (raccordo corpo-colonna)	575460	
OR x2 for connection	050527	
stainless stell screw (grano inox)	050606	
extension (colonna)	575462	575462PK
support for base ring (supporto per base)	575464	575464PK
base ring (base)	575466	575466PK
OR for base (OR per base)	050724	
cover x3 (tappo)	575465	575465PK
OR x3 for cover (OR per tappo)	050622	
distributor (distributore)	000452	

