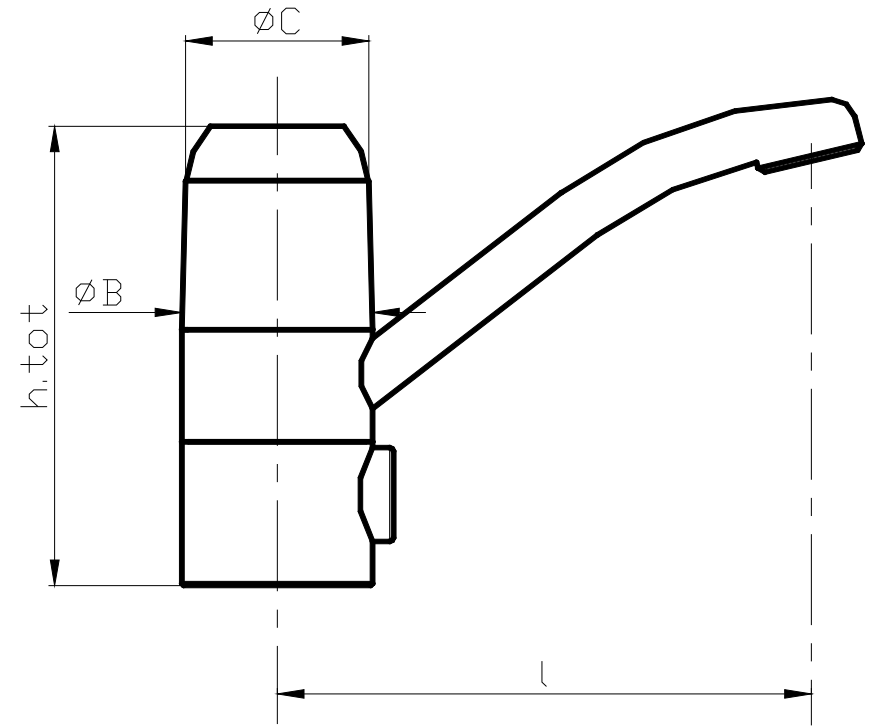


# LSG2H.50-55

	raw	chromium plated
cap	000235	000235PK
plastic cap		050597
nut	000217	
sleeve d.50/55	000175	000175PK
body	000490	000490PK
headwork seat	000491	000491PK
gasket GACO ×2	050504	
antifriction ring ×2	050534	
welded spout d.55 l.227.5	000733A	000733APK



$\text{Ø C} = 50 \text{ mm}$   
 $\text{Ø B} = 55 \text{ mm}$   
 $h.tot = 128 \text{ mm}$