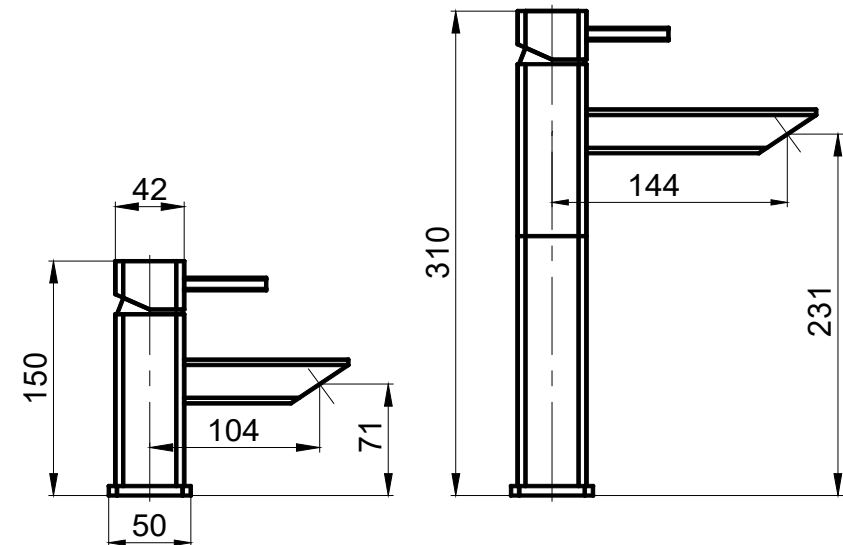
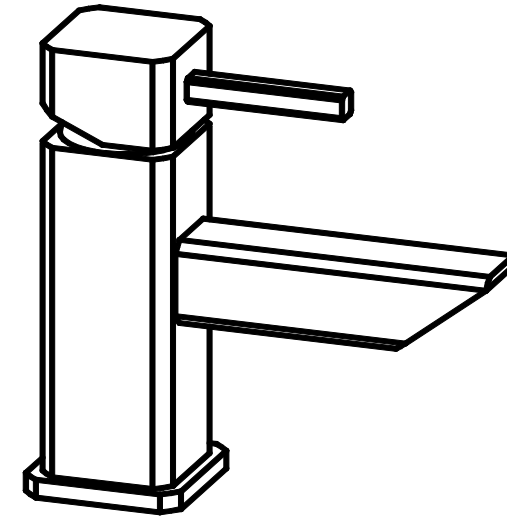


MLGM.q42d53 minimal line wash-basin mixer for cartridge Ø35
miscelatore lavabo serie minimalista per cartuccia Ø35

| | raw | chromium plated |
|----------------------------------------------|--------|-----------------|
| handle body (corpo maniglia) | 447201 | 447201PK |
| stainless steel screw x2 (grano inox) | 050617 | |
| lever (leva maniglia) | 447203 | 447203PK |
| cap (cappello) | 000225 | 000225PK |
| plastic cap | | 050596 |
| nut (ghiera serraggio) | 000201 | |
| body (corpo) h.110, with M8, with hole | 447207 | 447207PK |
| " h.110, with M8, without hole | 447206 | 447206PK |
| " h.130, with M8, with hole | 167107 | 167107PK |
| " h.110, with 2 M6, without hole | 910156 | 910156PK |
| connection (raccordo) | 106258 | |
| OR | 050623 | |
| OR x2 | 050625 | |
| spout (bocca) | 447208 | 447208PK |
| long spout | 447209 | 447209PK |
| stainless steel pin for spout (spina inox) | 050451 | |
| stainless steel screw for spout (grano inox) | 050629 | |
| base ring (basetta) | 447212 | 447212PK |
| stainless steel screw for base(grano inox) | 050618 | |
| extension h.160 (prolunga) | 447214 | 447214PK |
| fixing kit, M8 tie down (tirante) | 050675 | |
| fixing kit, long M8 tie down | 050674 | |
| fixing kit, 2 M6 tie down | 050673 | |



sketches and dimension with 447207
 schizzi e dimensioni con 447207