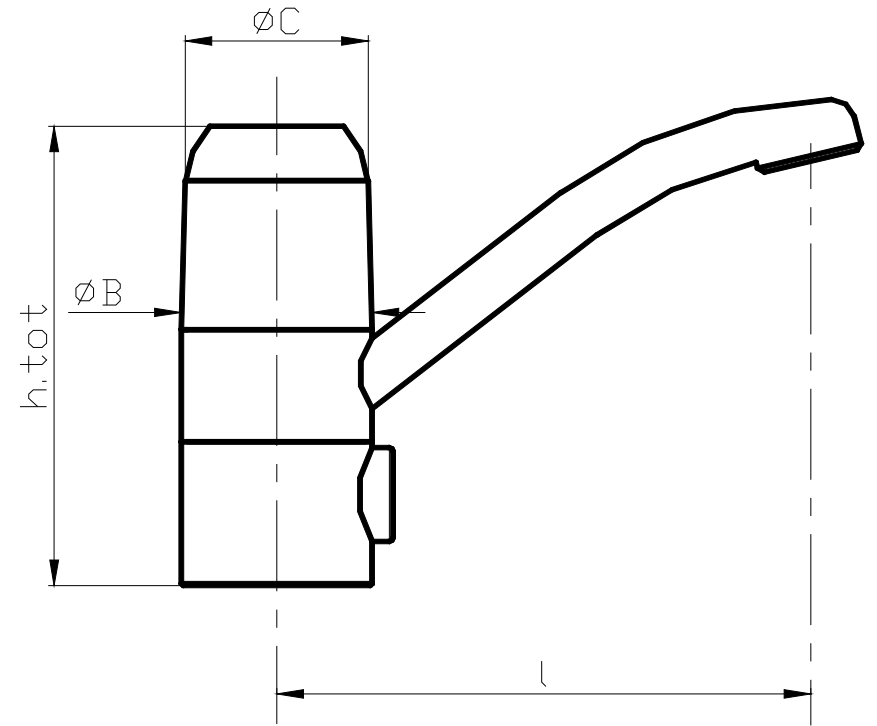


ASG2.48-50

	raw	chromium plated
cap	000226	000226PK
plastic cap		050604
nut	000211	
sleeve d.48/50	000182	000182PK
body	000492	000492PK
headwork seat	000491	000491PK
gasket GACO ×2	050504	
antifriction ring ×2	050534	
welded spout d.50 l 225	000738A	000738APK
" " 1.144	000737A	000737APK
" " 1.125	806102A	806102APK
" " 1.165	806113A	806113APK
" " 1.240	000742A	000742APK
" " 1.213 " B"	000735A	000735APK



$\text{ØC} = 48 \text{ mm}$
 $\text{ØB} = 50 \text{ mm}$
 $h.tot = 127 \text{ mm}$