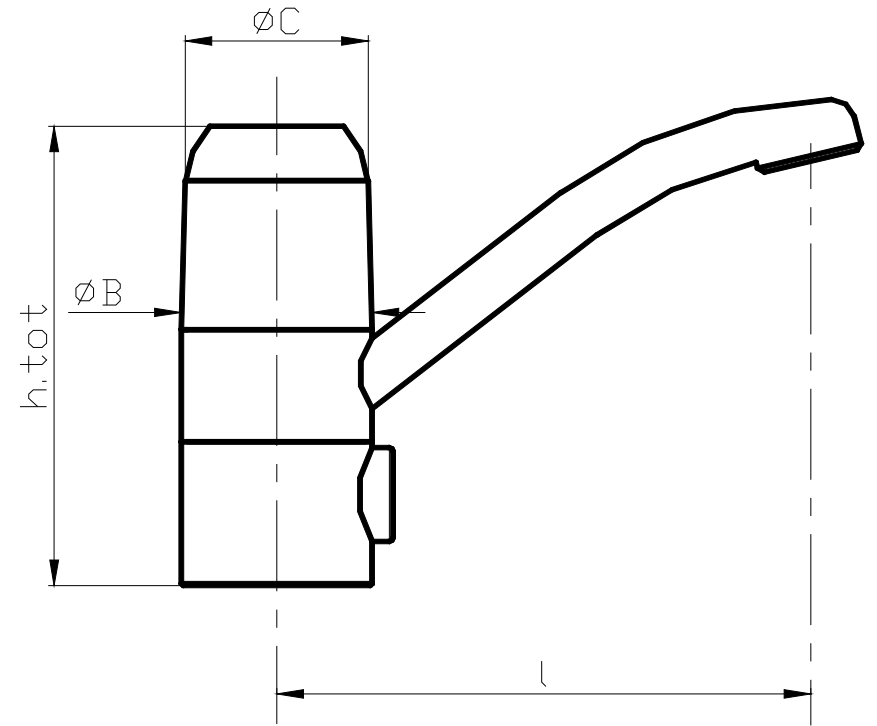


ASG2H.48-50

	raw	chromium plated
cap	000231	000231PK
plastic cap		050595
nut	000214	
sleeve d.48/50	000181	000181PK
body	000492	000492PK
headwork seat	000491	000491PK
gasket GACO ×2	050504	
antifriction ring ×2	050534	
welded spout d.50 l 225	000738A	000738APK
" " 1.144	000737A	000737APK
" " 1.125	806102A	806102APK
" " 1.165	806113A	806113APK
" " 1.240	000742A	000742APK
" " 1.213 " B"	000735A	000735APK



$\text{ØC} = 48 \text{ mm}$
 $\text{ØB} = 50 \text{ mm}$
 $h.\text{tot} = 127 \text{ mm}$