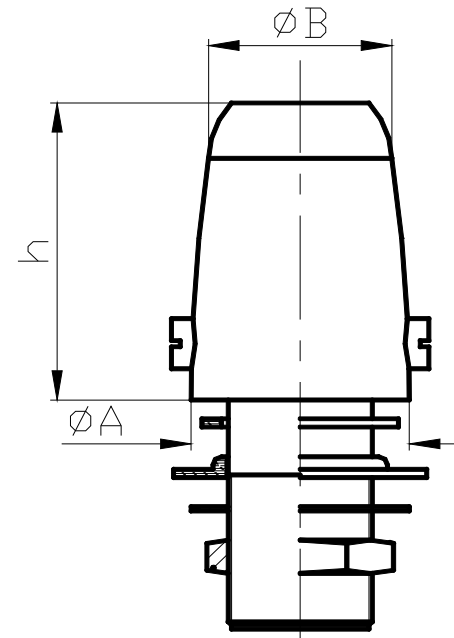


BDG2.50

	raw	chromium plated
cap	000235	000235PK
plastic cap		050597
nut	000217	
OR x2	050624	
OR x2	050626	
screw	848226	
body	000524	000524PK
pin x2	848224	848224PK
fixing kit	rubber gasket d.45	050632
	rubber gasket d.58	050630
	stainless steel washer	050545
	nut	000250



$\text{ØB} = 50 \text{ mm}$
 $\text{ØA} = 50 \text{ mm}$
 $h = 74 \text{ mm}$