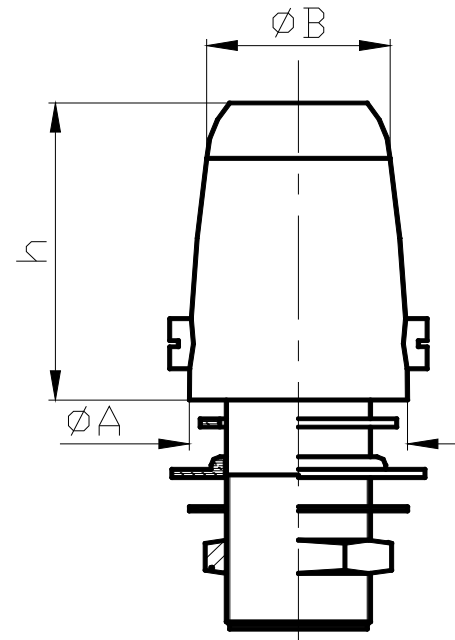


# BDG2.50-55

	raw	chromium plated
cap	000235	000235PK
plastic cap		050597
nut	000217	
OR x4	050628	
screw	848226	
body	000532	000532PK
pin x2	000296	000296PK
<b>fixing kit</b>		
rubber gasket d.50	050513	
rubber gasket d.58	050630	
stainless steel washer	050545	
nut	000250	



ØB = 50 mm

ØA = 55 mm

h = 77 mm