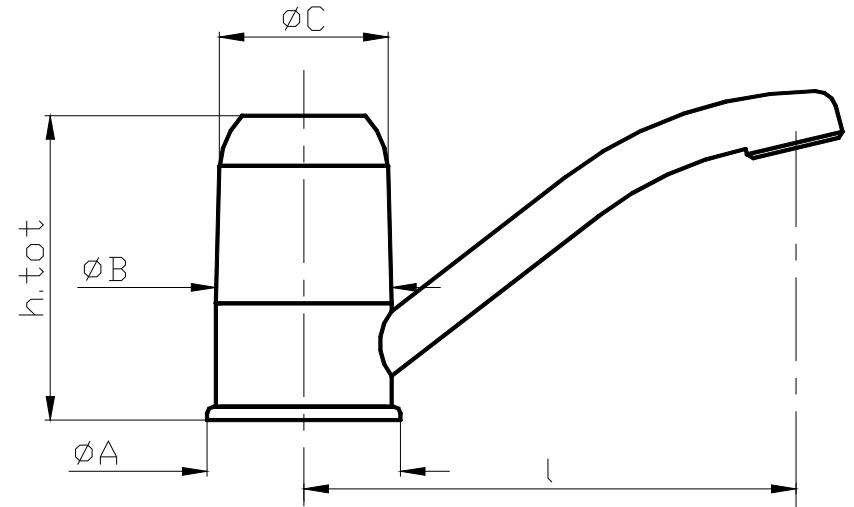


**CGGM.42A**

	raw	chromium plated
cap d.42 F	000220	000220PK
plastic cap d.42 F		050599
cap d. 41 M	000224	000224PK
plastic cap d. 41 M		050598
nut	000202	
"	000201	
sleeve d.42	000161	000161PK
"	330104	330104PK
body	000407	
" ADZ	107109	
gasket GACO ×2	050502	
antifriction ring ×2	050532	
welded spout d.42 l.221	000707A	000707APK
" " l.175	000705A	000705APK
" " l.140	000704A	000704APK
" " l.125	806130A	806130APK
" " l.165	806140A	806140APK
" " l.215 "C"	107290A	107290APK
ring with connection 3/8"G	822304A	822304APK
ring with connection 1/2"G	822305A	822305APK
base ring	000132	000132PK



$\text{ØC} = 42 \text{ mm}$   
 $\text{ØB} = 42 \text{ mm}$   
 $\text{ØA} = 45 \text{ mm}$   
 $h.\text{tot} = 82 \text{ mm}$   
 (with 000220 and 000161)