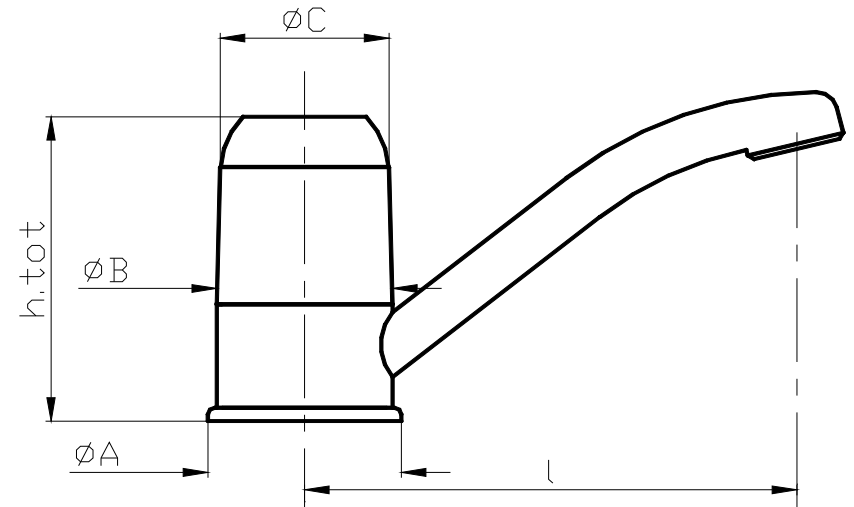


**CGG2H.50A55**

		raw	chromium plated
		/BP	/BPT
cap	000235		000235PK
plastic cap			050597
nut	000217		
sleeve d.50	000178		000178PK
body	000441		
body ADZ	107140		
body with shank	000443		
low pressure body with shank	000444		
low pressure body with tie down			000442
low pres.body with tie down ADZ			107142
gasket GACO x2	050504		
antifriction ring x2	050534		
welded spout d.50 l.225	000738A		000738APK
" " l.144	000737A		000737APK
" " l.125	806102A		806102APK
" " l.165	806113A		806113APK
" " l.240	000742A		000742APK
" " l.213 "B"	000735A		000735APK
base ring	000144		000144PK
shank	000241	000241	
rubber gasket	050512	050512	
rubber gasket	050513	050513	
stainless steel washer	050545	050545	
nut	000248	000248	

fixing kit



$\text{ØC} = 50 \text{ mm}$   
 $\text{ØB} = 50 \text{ mm}$   
 $\text{ØA} = 55 \text{ mm}$   
 $h.\text{tot} = 92 \text{ mm}$