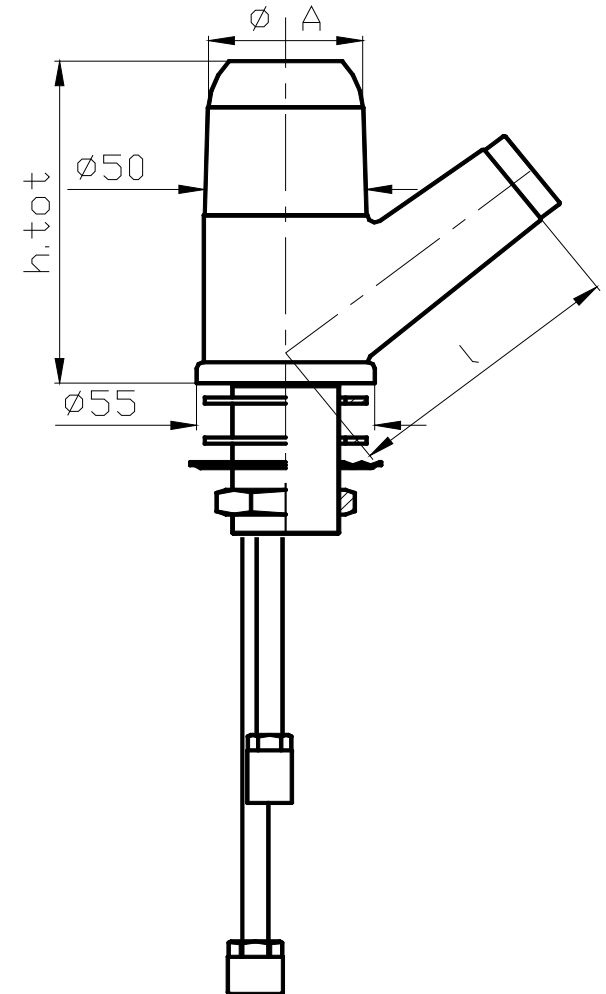


**DEG2.50**

	raw	chromium plated
cap	000235	000235PK
plastic cap		050597
nut	000217	
canotto d.50	000195	000195PK
base plate	000769	
PVC insert - grey	050548	
" " - white	050549	
" " - black	050550	
" " with tooth - black	960182	
brass spout l.89	000280	000280PK
" " l.74	000281	000281PK
" " l.110	000284	000284PK
brass spout l.89 with milling	960180	960180PK
zama spout	050280	050280PK
milled body	000251	
OR ×2	050522	
antifriction ring ×2	050537	
base ring	000152	000152PK
base ring for zama spout	000153	000153PK
shank 33F19	000245	
" 32F19	000243	
" M33x1.5	000246	
rubber gasket ×2	050513	
stainless steel washer	050545	
nut 33F19	000250	
" 32F19	000248	
" M33x1.5	000249	

fixing kit



$\varnothing A = 50 \text{ mm}$   
 $h.tot = 106 \text{ mm}$