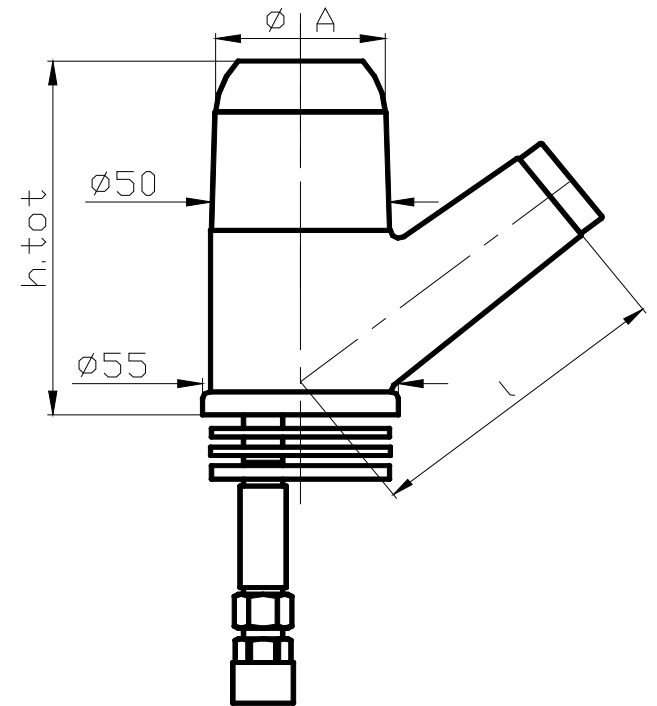


# DEFG2.48

	raw	chromium plated
cap	000226	000226PK
plastic cap		050604
nut	000211	
sleeve d.50/48	703102	703102PK
base plate	000484	
" " for zama spout	000384	
PVC insert - grey	050548	
" " - white	050549	
" " - black	050550	
" " with tooth - black	960182	
brass spout l.89	000280	000280PK
" " l.74	000281	000281PK
" " l.110	000284	000284PK
brass spout l.89 with milling	960180	960180PK
zama spout	050280	050280PK
milled body	000252	
OR ×2	050522	
antifriction ring ×2	050537	
base ring	000152	000152PK
base ring for zama spout	000153	000153PK
OR	050525	
tie down	000274	
rubber gasket	050524	
notched rubber washer	050514	
notched zinc plated washer	050544	
spacer	000260	
nut	000261	
adapter	000262	
rubber gasket	050528	

fixing kit



ØA = 48 mm  
h.tot = 115 mm